

# Application LM02

## Single Tank Level Monitor

for Analog Level Sensors



### Features

- 20 point level to volume strapping table
- Level control output
- Accepts level and pressure (product head) sensors
- Density correction available for pressure level sensors
- Provides volume to mass conversion via density value
- Freely assignable alarms for high or low levels
- Selection of Detail or Basic main menu to suit operator and application
- Selection of second language and user tags
- RTC logging with over 1000 entries
- 4-20mA retransmission
- RS232 and RS485 or Ethernet (optional) serial ports
- Modbus RTU, Printer and other serial port protocols

### Overview

The 515 LM02 application monitors and measures the level of product in a single tank. The instrument uses the 4-20mA signal from a wide range of level sensors, including pressure transmitters, ultrasonic sensors and capacitance probes.

The level monitor provides a 20 point strapping table and product density for level to volume and volume to mass conversions. The instrument can display Volume, Percentage Full and Mass as well as Level. Relay alarms are freely assignable as high or low alarms and an open collector output is provided for programmable level control.

A sub-menu gives full details of alarm status and can offer direct access to change the alarm setpoints. The instrument also has density correction available for pressure level sensors to cater for a deviation in product density.

### Calculations

Calculations are based on the analog input signal representing the product level in the tank.

$$level = (Lmax - Lmin) \times A + Lmin$$

$$volume = (Vmax - Vmin) \times A^* + Vmin$$

$$mass = volume \times density$$

where:

A = normalised input signal with density correction.

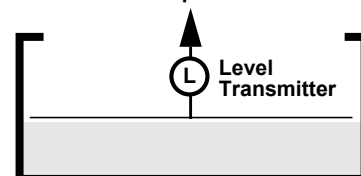
A\* = A for linear tanks.

A\* = f(A) for non-linear tanks.

f(A) = level to volume normalised strapping table.



Analog Input



## Displayed Information

The front panel display shows the current values of the input variables and the results of the calculations. A list of the variables for this application and their type (total or rate) is shown at the end of this document.

The instrument can be supplied with a real-time clock for data logging of over 1000 entries of the variables as displayed on the main menu.

## Communications

There are two communication ports available as follows:

- COM-1 RS-232 port
- COM-2 RS-485 port (optional) or Ethernet (optional)

All types of ports can be used for remote data reading, while RS-232 and RS-485 serial ports can be used for printouts and for uploading and downloading of the application software to the instrument.

## Isolated Outputs

The instrument can re-transmit any main menu variable. The digital output on OUT1 can be used as logic level to control the level in a tank. If the instrument has the advanced option, OUT2 outputs the assigned variable as a 4-20 mA signal.

## Relay Outputs

The relay alarms can be assigned to any of the main menu variables of a rate type. The alarms can be fully configured including hysteresis. Two relays are standard with an additional two available in the advanced option.

## Software Configuration

The instrument can be programmed to suit the particular application needs and the flexible I/O can be assigned as required. Program settings can be changed either via the front panel (depending on assigned access levels) or via the 500 Series Program Manager (500-PM software).

The instrument stores all set-up parameters and logged data in non-volatile memory with at least 30 years retention.

## Dimension Drawings

### Part Number

515.XXXXXX-LM02  
see **Product Codes** to select required features

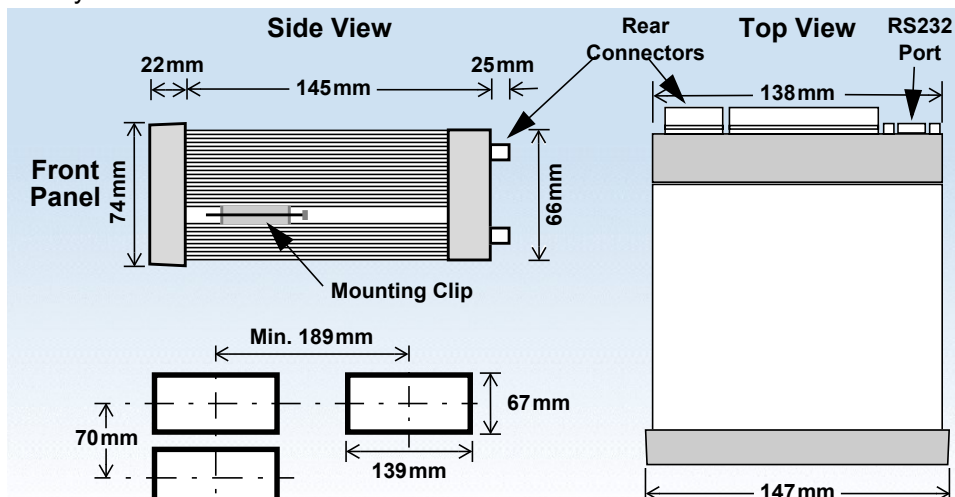
Default Application software:  
515-LM02-000000

## Analog Input Types

The analog input for this application is fixed to accept a 4-20mA signal.

## Terminal Designations

Terminal Label	Designation	Comment
3	SG -	Signal ground
7	AINP1 +	Analog Input ch 1 (+)
8	-	Analog Input ch 1 (-)
15	Vo +	8-24 volts DC output
16	G -	DC Ground
17	Vi +	DC power input
18	SH E	Shield terminal
19	RS485 +	RS485 (+)
20	COM-2 -	RS485 (-)
21	port G	RS485 ground
22	1+	Switch 1
23	2+	Switch 2
24	3+	Switch 3
25	4+	Switch 4
26	C-	Signal ground
27	OUT1 +	Output ch 1 (+)
28	-	Output ch 1 (-)
29	OUT2 +	Output ch 2 (+)
30	-	Output ch 2 (-)
31	RC	Relay Common 1-2
32	R1	Relay 1
33	R2	Relay 2
34	R3	Relay 3
35	R4	Relay 4
36	RC	Relay common 3-4
E	E	Mains ground
N	N	Mains neutral
A	A	Mains active
RS232 COM-1 port	9-pin serial port	



# Specifications

## Operating Environment

<b>Temperature</b>	+5°C to +40°C (standard - no coating) -20°C to +60°C (with conformal coating) -30°C to +60°C (ExD housing with heater)
<b>Humidity</b>	0 to 95% non condensing (conformal coating) 5% to 85% non condensing (no coating)
<b>Power Supply</b>	100-240 V AC (+/-10%) 50-60 Hz (+/-10%) or 12-28 V DC
<b>Consumption</b>	10W (max) Overvoltage category II
<b>Protection</b>	Sealed to IP65 (Nema 4X) when panel mounted
<b>Dimensions (panel option)</b>	147mm (5.8") width 74mm (2.9") height 170mm (6.6") depth (behind the panel)

## Display

<b>Type</b>	Backlit LCD with 7-digit numeric display and 11-character alphanumeric display
<b>Digits</b>	15.5mm (0.6") high
<b>Characters</b>	6mm (0.24") high
<b>LCD Backup</b>	Last data visible for 15min after power down
<b>Update Rate</b>	0.3 second

## Non-volatile Memory

<b>Retention</b>	> 30 years
<b>Data Stored</b>	Setup and Logs

## Approvals

<b>Electrical &amp; Interference</b>	UKCA, CE, CSA compliance
<b>Enclosure</b>	Ex d Enclosure - ATEX & IECEx available for hazardous area (CSA Pending). Field Mount Enclosure - UKCA, CE, CSA safe area weather proof enclosure. Other - RoHS compliant

## Real Time Clock (Optional)

<b>Battery Type</b>	3 volts Lithium button cell - For Issue 7 option card, type CR2450N manufactured by Renata only - For conformal coated 'C' version, type BR2032 manufactured by Panasonic only - For non-conformal coated versions, type BR2032 and CR2032 manufactured by Panasonic or Sony
<b>Battery Life</b>	5 years (typical)

## Analog Input (General)

<b>Overcurrent</b>	100mA absolute maximum rating (30mA for 4-20mA inputs)
<b>Update Time</b>	< 1.0 sec
<b>Configuration</b>	4-20mA

## 4-20mA Input

<b>Impedance</b>	100 Ohms (to common signal ground)
<b>Accuracy</b>	0.05% full scale (20°C) 0.1% (full temperature range, typical)

## Logic Inputs

<b>Signal Type</b>	CMOS, TTL, open collector, reed switch
<b>Overvoltage</b>	30V maximum

## Relay Output

<b>No. of Outputs</b>	2 relays plus 2 optional relays
<b>Voltage</b>	250 volts AC, 30 volts DC maximum (solid state relays use AC only)
<b>Current</b>	3A maximum - mechanical relays 1.5A maximum - solid state relays

## Communication Ports

<b>Ports</b>	COM-1 RS-232 port COM-2 RS-485 or Ethernet port (optional)
<b>Baud Rate</b>	2400 to 19200 baud
<b>Parity</b>	Odd, even or none
<b>Stop Bits</b>	1 or 2
<b>Data Bits</b>	8
<b>Protocols</b>	Modbus RTU, Modbus TCP/IP (Ethernet Port), Printer

## Transducer Supply

<b>Voltage</b>	8 to 24 volts DC, programmable
<b>Current</b>	70mA @ 24V, 120mA @ 12V maximum
<b>Protection</b>	Power limited output

## Isolated Output

<b>No. of Outputs</b>	2 outputs
<b>Configuration</b>	Outputs configuration is fixed: OUT1 to Digital (on/off), OUT2 to 4-20mA

## Digital Output

<b>Signal Type</b>	Open collector
<b>Switching</b>	200mA, 30 volts DC maximum
<b>Saturation</b>	0.8 volts maximum

## 4-20mA Output

<b>Supply</b>	9 to 30 volts DC external
<b>Resolution</b>	0.05% full scale
<b>Accuracy</b>	0.05% full scale (20°C) 0.1% (full temperature range, typical)

*Important: Specifications are subject to change without notice.*

# Ordering Information

## Product Codes

Model	Supplementary Code	Description
515	- LM02	
Enclosure	1	Panel mount enclosure
	2/7	Field mount enclosure (NEMA 4X / IP66) (7 specifies heater included)
	3/5	Explosion proof Ex d (IECEX/ATEX), metric glands (5 specifies heater included)
	4/6	Explosion proof Ex d (CSA), NPT glands (6 specifies heater included)
Output Options	0	4 logic inputs, 1 isolated output, 2 relays (only relay type 1 is available), RS232 (DB9) communication port
	1	4 logic inputs, 2 isolated outputs, 4 relays, real-time clock data logging, RS232 (DB9) and RS485 communication ports
	2	4 logic inputs, 2 isolated outputs, 4 relays, real-time clock data logging, RS232 (DB9) & Ethernet communication ports
Relay Type	1	Electromechanical relays only
	2	2 electromechanical relays (1-2) and 2 solid state relays (3-4)
	3	Solid state relays only
Power Supply	U	Inputs for 12-28VDC and 100-240 VAC, 50-60Hz (Previous Models: A = 110/120 VAC, E = 220/240 VAC)
	D	Input for 12-28VDC power only
Display Panel Option	S	Standard option (now with backlight & LCD backup) (original Full option: F, with Infra-Red comms, no longer available)
PCB Protection	C	<b>Conformal coating</b> - required for maximum environmental operating range. Recommended to avoid damage from moisture and corrosion.
	N	<b>None</b> - suitable for IEC standard 654-1 Climatic Conditions up to Class B2 (Heated and/or cooled enclosed locations)
Application Pack Number	LM02	Defines the application software to be loaded into the instrument

Example full product part number is 515.111USC-LM02 (this is the number used for placing orders).

## Main Menu Variables

Main Menu Variables	Default Units	Preferred Units	Variable Type
Product Volume	m <sup>3</sup>		Rate
Product Level	m		Rate
Volume Full %	%		Rate
Product Mass	kg		Rate



500 Series in BZC Ex d enclosure

[www.contrec.co.uk](http://www.contrec.co.uk)



**Contrec Ltd**  
Riverside, Canal Road  
Sowerby Bridge, West Yorkshire  
HX6 2AY United Kingdom  
Tel: +44 1422 829944  
Email: sales@contrec.co.uk

**Contrec - USA, LLC**  
916 Belcher Drive  
Pelham, Alabama  
AL 35124 United States  
Tel: +1 (205) 685 3000  
Email: contrec@contrec-usa.com

**Contrec Systems Pty Ltd**  
5 Norfolk Avenue  
Ringwood, Victoria 3134  
Melbourne Australia  
Tel: +61 413 505 114  
Email: info@contrec.com.au