

Application HC04

Heat Calculator

Flow Computer

for Stacked DP Meters
(ISO 5167 & V-Cones)



Features

- Suited for heating and/or cooling operation
- Uses IAPWS-IF97 to determine water properties
- Tailored for differential pressure meters with single or stacked transmitters
- ISO 5167 (2003) DP flow calculations, 9 meter types
- V-Cone DP flow calculations, 2 cone types
- Flow meter can be located in feed or return line
- Selection of second language and user tags
- RTC logging with over 1000 entries
- Programmable pulse width and scaling of pulse output
- 4-20mA retransmission
- RS-232 and RS-485 (optional) serial ports
- Modbus RTU, Printer and other serial port protocols
- Front panel adjustment of 8-24V DC output voltage
- Backlit display



Overview

The 515 HC04 application measures the volume, mass and energy content of fluid in a heating or cooling system by using single or stacked differential pressure flow inputs in conjunction with feed and return temperature inputs.

A selection of operation modes makes it suitable for various heating/cooling applications. Flow is calculated according to equations for ISO 5167 or V-Cone meters and accurately accounts for thermal expansion.

The energy calculations are based on the IAPWS Industrial Formulation (1997) for the thermodynamic properties of steam. The temperature values are used to determine the density and specific enthalpy. The instrument also calculates the isentropic exponent and absolute viscosity which are required for the differential pressure calculations.

Calculations

The energy calculations are based on the IAPWS Industrial Formulation (1997). The temperature limits are dependent on the system pressure:

$$0^{\circ}\text{C} < t < t_{\text{saturation}} \text{ at system pressure}$$

$$32^{\circ}\text{F} < t < t_{\text{saturation}} \text{ at system pressure}$$

Formulas

$$\text{Volume flow} = \text{Mass flow} / \rho_{\text{flow}}$$

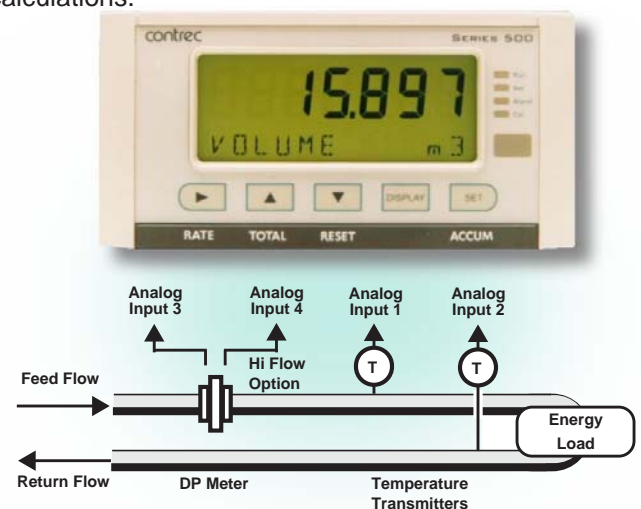
$$\text{Power} = \text{Mass flow} \times (h_{\text{TF}} - h_{\text{TR}})$$

where:

ρ_{flow} = density at flow conditions

h_{TF} = Specific enthalpy at feed temperature

h_{TR} = Specific enthalpy at return temperature



Displayed Information

The front panel display shows the current values of the input variables and the results of the calculations. A list of the variables for this application and their type (total or rate) is shown at the end of this document.

The instrument can be supplied with a real-time clock for data logging of over 1000 entries of the variables as displayed on the main menu.

Communications

There are two communication ports available as follows:

- RS-232 port
- RS-485 port (optional)

The ports can be used for remote data reading, printouts and for initial application loading of the instrument.

Isolated Outputs

The opto-isolated outputs can re-transmit any main menu variable. The type of output is determined by the nature of the assigned variable. Totals are output as pulses and rates are output as 4-20mA signals. One output is standard, a second output is available as an option.

Relay Outputs

The relay alarms can be assigned to any of the main menu variables of a rate type. The alarms can be fully configured including hysteresis. Two relays are standard with additional two relays available as an option.

Software Configuration

The instrument can be further tailored to suit specific application needs including units of measurement, custom tags, second language or access levels. A distributor can configure these requirements before delivery.

Instrument parameters including units of measurement can be programmed in the field, according to the user access levels assigned to parameters by the distributor.

All set-up parameters, totals and logged data are stored in non-volatile memory with at least 30 years retention.

Temperature Input Types

Temperature sensor input(s) can be either PT100, PT500, 4-20mA, 0-5V or 1-5V signals.

Terminal Designations

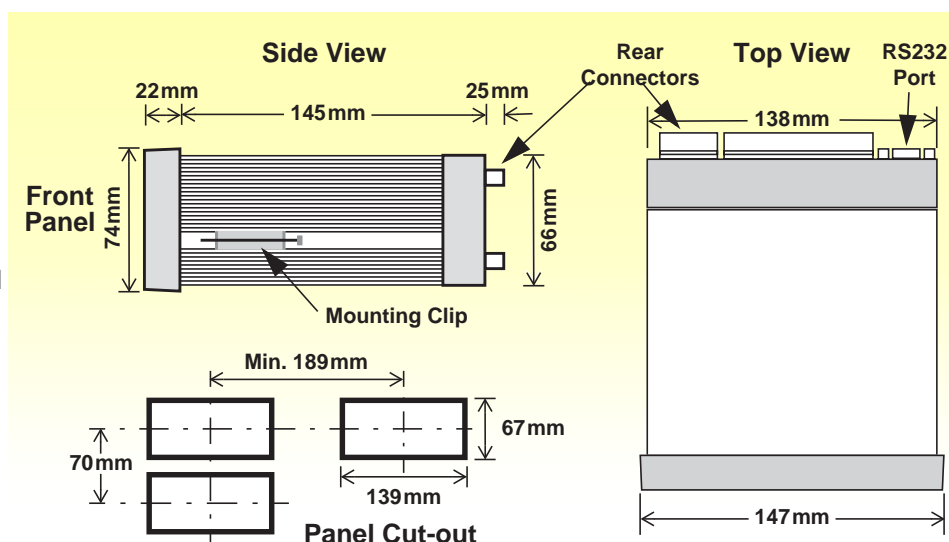
Terminal Label	Designation	Comment
3 SG	- Signal ground	
5 EXC V	2+ Excitation Term 2+	For AINP1 RTD Input
6 EXC V	3+ Excitation Term 3+	For AINP2 RTD Input
7 AINP1	+ Analog Input ch 1 (+)	Feed Temperature Input
8	- Analog Input ch 1 (-)	
9 AINP2	+ Analog Input ch 2 (+)	Return Temperature Input
10	- Analog Input ch 2 (-)	
11 AINP3	+ Analog Input ch 3 (+)	Main or Low Flow Input
12	- Analog Input ch 3 (-)	
13 AINP4	+ Analog Input ch 4 (+)	High Flow Stacked Input
14	- Analog Input ch 4 (-)	
15 Vo	+ 8-24 volts DC output	Overload protected
16 G	- DC Ground	
17 Vi	+ DC power input	DC power in 12-28V
18 SH	E Shield terminal	
19 RS485	+ RS485 (+)	Optional RS485 port
20	- RS485 (-)	
21	G RS485 ground	
22	1+ Switch 1	
23	2+ Switch 2	
24	3+ Switch 3	
25	4+ Switch 4	
26	C- Signal ground	
27 OUT1	+ Output ch 1 (+)	
28	- Output ch 1 (-)	
29 OUT2	+ Output ch 2 (+)	Optional output
30	- Output ch 2 (-)	
31	RC Relay common	
32	R1 Relay 1	
33	R2 Relay 2	
34	R3 Relay 3	
35	R4 Relay 4	
E AC MAINS	E Mains ground	AC power in 100-240VAC
N	N Mains neutral	
A	A Mains active	
RS232 port	9-pin serial port	

Dimension Drawings

Part Number

515.XXXXXX-HC04
see **Product Codes** to select required features

Default Application software:
515-HC04-000000



Specifications

Operating Environment

Temperature	-20°C to +60°C (conformal coating) +5°C to +40°C (no coating)
Humidity	0 to 95% non condensing (conformal coating) 5% to 85% non condensing (no coating)
Power Supply	100-240 V AC (+/-10%) 50-60 Hz (+/-10%) or 12-28 V DC
Consumption	6W (typical)
Protection	Sealed to IP65 (Nema 4X) when panel mounted
Dimensions (panel option)	147mm (5.8") width 74mm (2.9") height 167mm (6.6") depth

Display

Type	Backlit LCD with 7-digit numeric display and 11-character alphanumeric display
Digits	15.5mm (0.6") high
Characters	6mm (0.24") high
LCD Backup	Last data visible for 15min after power down
Update Rate	0.3 second

Non-volatile Memory

Retention	> 30 years
Data Stored	Setup, Totals and Logs

Approvals

Interference	CE compliance
Enclosure	IECEX, ATEX and CSA approved enclosures available for hazardous areas

Real Time Clock (Optional)

Battery Type	3 volts Lithium button cell (CR2032)
Battery Life	5 years (typical)

Analog Input (General)

Overcurrent	100mA absolute maximum rating
Update Time	< 1.0 sec
Configuration	RTD, 4-20mA, 0-5V and 1-5V input
Non-linearity	Up to 20 correction points (some inputs)

RTD Input

Sensor Type	PT100 & PT500 to IEC 751
Connection	Four Wire
Range	-200°C to 350°C
Accuracy	0.1°C typical (-100°C to 300°C)

4-20mA Input

Impedance	100 Ohms (to common signal ground)
Accuracy	0.05% full scale (20°C) 0.1% (full temperature range, typical)

0-5 or 1-5 Volts Input

Impedance	10MOhms (to common signal ground)
Accuracy	0.05% full scale (20°C) 0.1% (full temperature range, typical)

Logic Inputs

Signal Type	CMOS, TTL, open collector, reed switch
Overvoltage	30V maximum

Relay Output

No. of Outputs	2 relays plus 2 optional relays
Voltage	250 volts AC, 30 volts DC maximum (solid state relays use AC only)
Current	3A maximum

Communication Ports

Ports	RS-232 port RS-485 port (optional)
Baud Rate	2400 to 19200 baud
Parity	Odd, even or none
Stop Bits	1 or 2
Data Bits	8
Protocols	ASCII, Modbus RTU, Printer*

Transducer Supply

Voltage	8 to 24 volts DC, programmable
Current	70mA @ 24V, 120mA @ 12V maximum
Protection	Power limited output

Isolated Output

No. of Outputs	1 configurable output (plus 1 optional)
Configuration	Pulse/Digital or 4-20mA output

Pulse/Digital Output

Signal Type	Open collector
Switching	200mA, 30 volts DC maximum
Saturation	0.8 volts maximum
Pulse Width	Programmable: 10, 20, 50, 100, 200 or 500ms

4-20mA Output

Supply	9 to 30 volts DC external
Resolution	0.05% full scale
Accuracy	0.05% full scale (20°C) 0.1% (full temperature range, typical)

*Important: Specifications are subject to change without notice.
Printer protocol is available only if RTC option is installed.*

Ordering Information

Product Codes

Model	Supplementary Code						Description
515	- HC04						
Enclosure	1						Panel mount enclosure
	2						Field mount enclosure (NEMA 4X / IP66)
	3/5						Explosion proof Ex d (IECEX/ATEX), metric glands (5 specifies heater)
	4/6						Explosion proof Ex d (CSA), NPT glands (6 specifies heater)
Output Options	0						4 logic inputs, 1 isolated output, 2 relays (only relay type 1 is available), RS232 (DB9) communication port
	1						4 logic inputs, 2 isolated outputs, 4 relays, real-time clock data logging, RS232 (DB9) and RS485 communication ports
	2/3						4 logic inputs, 2 isolated outputs, 4 relays, real-time clock data logging, RS232 (DB9) and Ethernet/RF communication ports (not yet available)
Relay Type	1						Electromechanical relays only
	2						2 electromechanical and 2 solid state relays
	3						Solid state relays only (not yet available)
Power Supply	U						Inputs for 12-28VDC and 100-240 VAC, 50-60Hz (Previous Models: A = 110/120 VAC, E = 220/240 VAC)
	D						Input for 12-28VDC power only
Display Panel Option	S						Standard option (now with backlight & LCD backup) (original Full option: F, with Infra-Red comms, no longer available)
PCB Protection	C						Conformal coating - required for maximum environmental operating range. Recommended to avoid damage from moisture and corrosion.
	N						None - suitable for IEC standard 654-1 Climatic Conditions up to Class B2 (Heated and/or cooled enclosed locations)
Application Pack Number	HC04						Defines the application software to be loaded into the instrument

Example full product part number is 515.111USC-HC04 (this is the number used for placing orders).

Main Menu Variables

Main Menu Variables	Default Units	Preferred Units	Variable Type
Energy	MWh		Total
Power	MW		Rate
Volume	m ³		Total
Volume Flowrate	m ³ /min		Rate
Mass	kg		Total
Mass Flowrate	kg/min		Rate
Feed Temperature	Deg C		Rate
Return Temperature	Deg C		Rate
Differential Temperature	Deg C		Rate
Differential Pressure	kPa		Rate
Reynolds Number	E+3		Rate



500 Series in Ex410 Enclosure

www.contrec.co.uk



Contrec Limited
Riverside, Canal Road
Sowerby Bridge, West Yorkshire
HX6 2AY United Kingdom
Tel: +44 1422 829944
Email: sales@contrec.co.uk

Contrec - USA, LLC
916 Belcher Drive
Pelham, Alabama
AL 35124 United States
Tel: +1 (205) 685 3000
Email: contrec@contrec-usa.com

Contrec Systems Pty Ltd
5 Norfolk Avenue
Ringwood, Victoria 3134
Melbourne Australia
Tel: +61 413 505 114
Email: info@contrec.com.au