

Application HC06

Heat Calculator Flow Computer

for Stacked DP Volumetric
Flowmeters



Features

- Suited for heating and/or cooling operation
- Uses IAPWS-IF97 to determine water properties
- Selection of common industry fluids using internal tables
- Facility for user defined Enthalpy and Density table
- Tailored for differential pressure meters with single or stacked transmitters
- Generic differential pressure flow calculations
- Flow meter can be located in feed or return line
- Selection of second language and user tags
- RTC logging with over 1000 entries
- Programmable pulse width and scaling of pulse output
- 4-20mA retransmission
- RS-232 and RS-485 (optional) serial ports
- Modbus RTU, Printer and other serial port protocols
- Front panel adjustment of 8-24V DC output voltage
- Backlit display



Overview

The 515 HC06 application measures the volume, mass and energy content of fluid in a heating or cooling system by using single or stacked differential pressure volumetric flow inputs in conjunction with feed and return temperature inputs.

A selection of fluid types and modes makes it suitable for many heating/cooling applications. The instrument calculates the flow according to generic differential pressure equations and incorporates the conditions at which the flowmeter was calibrated.

The instrument calculates the mass flow and energy according to the IAPWS Industrial Formulation (1997) when the fluid type is water, while internal enthalpy and density tables are used for the selection of other industry fluids.

Calculations

This instrument can calculate the mass and energy for the following common industry fluids:

- Water
- Glycol (35% Solution)
- Brine (27% CaCl₂)
- TYFOXIT F20
- TYFOXIT F40
- Essotherm 500 / Thermaloil
- THERMINOL 55
- User Custom Fluid

Formulas

$$\text{Mass flow} = \text{Volume flow} \times \rho_{\text{flow}}$$

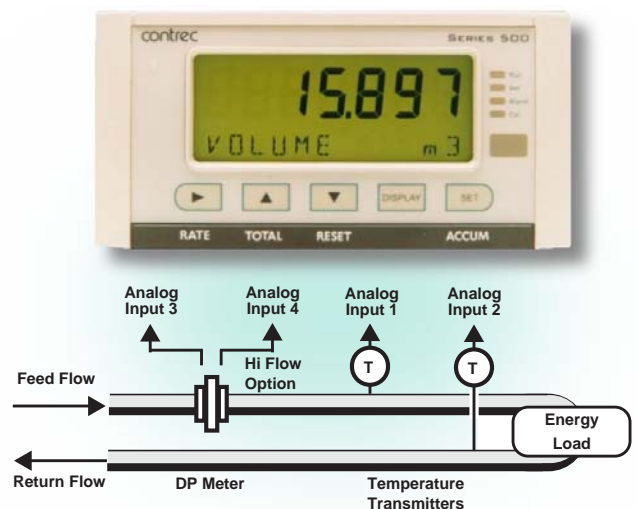
$$\text{Power} = \text{Mass flow} \times (h_{TF} - h_{TR})$$

where:

ρ_{flow} = density at flow conditions

h_{TF} = Specific enthalpy at feed temperature

h_{TR} = Specific enthalpy at return temperature



Displayed Information

The front panel display shows the current values of the input variables and the results of the calculations. A list of the variables for this application and their type (total or rate) is shown at the end of this document.

The instrument can be supplied with a real-time clock for data logging of over 1000 entries of the variables as displayed on the main menu.

Communications

There are two communication ports available as follows:

- RS-232 port
- RS-485 port (optional)

The ports can be used for remote data reading, printouts and for initial application loading of the instrument.

Isolated Outputs

The opto-isolated outputs can re-transmit any main menu variable. The type of output is determined by the nature of the assigned variable. Totals are output as pulses and rates are output as 4-20mA signals. One output is standard, a second output is available as an option.

Relay Outputs

The relay alarms can be assigned to any of the main menu variables of a rate type. The alarms can be fully configured including hysteresis. Two relays are standard with additional two relays available as an option.

Software Configuration

The instrument can be further tailored to suit specific application needs including units of measurement, custom tags, second language or access levels. A distributor can configure these requirements before delivery.

Instrument parameters including units of measurement can be programmed in the field, according to the user access levels assigned to parameters by the distributor.

All set-up parameters, totals and logged data are stored in non-volatile memory with at least 30 years retention.

Temperature Input Types

Temperature sensor input(s) can be either PT100, PT500, 4-20mA, 0-5V or 1-5V signals.

Terminal Designations

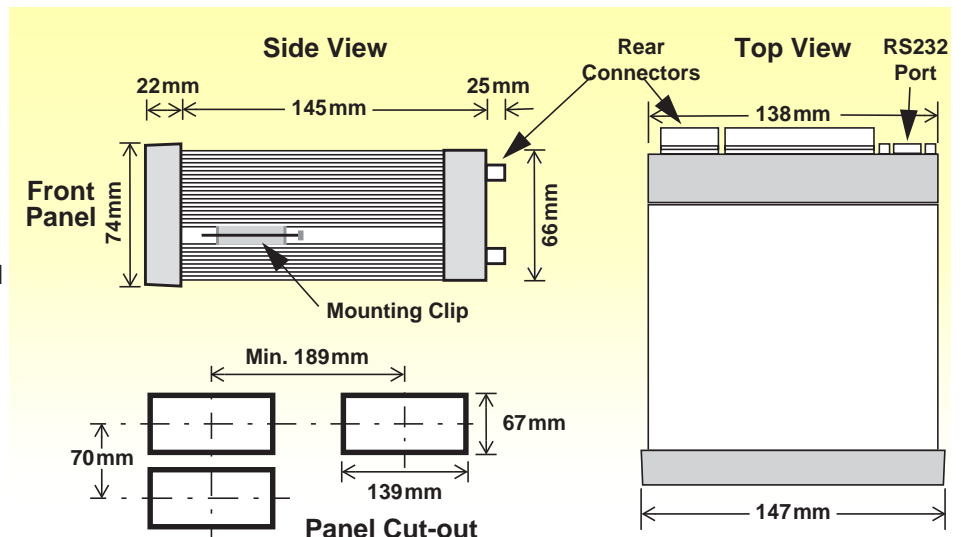
Terminal Label	Designation	Comment
3 SG	- Signal ground	
5 EXC V	2+ Excitation Term 2+	For AINP1 RTD input
6 EXC V	3+ Excitation Term 3+	For AINP2 RTD input
7 AINP1	+ Analog input ch 1 (+)	Feed temperature input
8	- Analog input ch 1 (-)	
9 AINP2	+ Analog input ch 2 (+)	Return temperature input
10	- Analog input ch 2 (-)	
11 AINP3	+ Analog input ch 3 (+)	Main or low flow input
12	- Analog input ch 3 (-)	
13 AINP4	+ Analog input ch 4 (+)	High flow stacked input
14	- Analog input ch 4 (-)	
15 Vo	+ 8-24 volts DC output	Overload protected
16 G	- DC Ground	
17 Vi	+ DC power input	DC power in 12-28V
18 SH	E Shield terminal	
19 RS485	+ RS485 (+)	Optional RS485 port
20	- RS485 (-)	
21	G RS485 ground	
22 LOGIC INPUTS	1+ Switch 1	
23	2+ Switch 2	
24	3+ Switch 3	
25	4+ Switch 4	
26	C- Signal ground	
27 OUT1	+ Output ch 1 (+)	
28	- Output ch 1 (-)	
29 OUT2	+ Output ch 2 (+)	Optional output
30	- Output ch 2 (-)	
31 RELAYS	RC Relay common	Optional relays
32	R1 Relay 1	
33	R2 Relay 2	
34	R3 Relay 3	
35	R4 Relay 4	
E N A AC MAINS	E Mains ground N Mains neutral A Mains active	AC power in 95-135V or 190-260V
RS232 port	9-pin serial port	

Dimension Drawings

Part Number

515.XXXXXX-HC06
see **Product Codes** to select required features

Default Application software:
515-HC06-000000



Specifications

Operating Environment

Temperature	-20°C to +60°C (conformal coating) +5°C to +40°C (no coating)
Humidity	0 to 95% non condensing (conformal coating) 5% to 85% non condensing (no coating)
Power Supply	95...135 V AC or 190...260 V AC or 12...28 V DC
Consumption	6W (typical)
Protection	Sealed to IP65 (Nema 4X) when panel mounted
Dimensions	147mm (5.8") width 74mm (2.9") height 167mm (6.6") depth

Display

Type	Backlit LCD with 7-digit numeric display and 11-character alphanumeric display
Digits	15.5mm (0.6") high
Characters	6mm (0.24") high
LCD Backup	Last data visible for 15min after power down
Update Rate	0.3 second

Non-volatile Memory

Retention	> 30 years
Data Stored	Setup, Totals and Logs

Approvals

Interference	CE compliance
Enclosure	ATEX, FM, CSA and SAA approved enclosures available for hazardous areas

Real Time Clock (Optional)

Battery Type	3 volts Lithium button cell (CR2032)
Battery Life	5 years (typical)

Analog Input (General)

Overcurrent	100mA absolute maximum rating
Update Time	< 1.0 sec
Configuration	RTD, 4-20mA, 0-5V and 1-5V input
Non-linearity	Up to 20 correction points (some inputs)

RTD Input

Sensor Type	PT100 & PT500 to IEC 751
Connection	Four Wire
Range	-200°C to 350°C
Accuracy	0.1°C typical (-100°C to 300°C)

4-20mA Input

Impedance	100 Ohms (to common signal ground)
Accuracy	0.05% full scale (20°C) 0.1% (full temperature range, typical)

0-5 or 1-5 Volts Input

Impedance	10MOhms (to common signal ground)
Accuracy	0.05% full scale (20°C) 0.1% (full temperature range, typical)

Logic Inputs

Signal Type	CMOS, TTL, open collector, reed switch
Overvoltage	30V maximum

Relay Output

No. of Outputs	2 relays plus 2 optional relays
Voltage	250 volts AC, 30 volts DC maximum (solid state relays use AC only)
Current	3A maximum

Communication Ports

Ports	RS-232 port RS-485 port (optional)
Baud Rate	2400 to 19200 baud
Parity	Odd, even or none
Stop Bits	1 or 2
Data Bits	8
Protocols	ASCII, Modbus RTU, Printer*

Transducer Supply

Voltage	8 to 24 volts DC, programmable
Current	70mA @ 24V, 120mA @ 12V maximum
Protection	Power limited output

Isolated Output

No. of Outputs	1 configurable output (plus 1 optional)
Configuration	Pulse/Digital or 4-20mA output

Pulse/Digital Output

Signal Type	Open collector
Switching	200mA, 30 volts DC maximum
Saturation	0.8 volts maximum
Pulse Width	Programmable: 10, 20, 50, 100, 200 or 500ms

4-20mA Output

Supply	9 to 30 volts DC external
Resolution	0.05% full scale
Accuracy	0.05% full scale (20°C) 0.1% (full temperature range, typical)

*Important: Specifications are subject to change without notice.
Printer protocol is available only if RTC option is installed.*

Ordering Information

Product Codes

Model	Supplementary Code						Description
515	- HC06						
Enclosure	1						Panel mount enclosure
	2						Field mount enclosure (not yet available)
	3/5						Explosion proof Ex410 with metric glands (5 specifies heater version)
	4/6						Explosion proof Ex410 with NPT glands (6 specifies heater version)
Output Options	0						4 logic inputs, 1 isolated output, 2 relays (only relay type 1 is available), RS232 (DB9) communication port
	1						4 logic inputs, 2 isolated outputs, 4 relays, real-time clock data logging, RS232 (DB9) and RS485 communication ports
	2/3						4 logic inputs, 2 isolated outputs, 4 relays, real-time clock data logging, RS232 (DB9) and Ethernet/RF communication ports (not yet available)
Relay Type	1						Electromechanical relays only
	2						2 electromechanical and 2 solid state relays
	3						Solid state relays only (not yet available)
Power Supply	E						For 220/240 VAC
	A						For 110/120 VAC
	D						For DC power only 12-28 VDC
Display Panel Option		F					Fully optioned (with backlight & LCD backup)
PCB Protection			C				Conformal coating - required for maximum environmental operating range. Recommended to avoid damage from moisture and corrosion.
			N				None - suitable for IEC standard 654-1 Climatic Conditions up to Class B2 (Heated and/or cooled enclosed locations)
Application Pack Number			HC06				Defines the application software to be loaded into the instrument

Example full product part number is 515.112EFC-HC06 (this is the number used for placing orders).

Main Menu Variables

Main Menu Variables	Default Units	Preferred Units	Variable Type
Energy	MWh		Total
Power	MW		Rate
Volume	m ³		Total
Volume Flowrate	m ³ /min		Rate
Mass	kg		Total
Mass Flowrate	kg/min		Rate
Feed Temperature	Deg C		Rate
Return Temperature	Deg C		Rate
Differential Temperature	Deg C		Rate



500 Series in Ex410 Enclosure

www.contrec.co.uk



Contrec Europe Limited
 Riverside, Canal Road
 Sowerby Bridge, West Yorkshire
 HX6 2AY United Kingdom
 Tel: +44 1422 829920
 Email: sales@contrec.co.uk

Contrec - USA, LLC
 916 Belcher Drive
 Pelham, Alabama
 AL 35124 United States
 Tel: (205) 685 3000
 Email: contrec@contrec-usa.com

Contrec Systems Pty Ltd
 5 Norfolk Avenue
 Ringwood, Victoria 3134
 Melbourne Australia
 Tel: +61 413 505 114
 Email: info@contrec.com.au